

**HOUSE OF
FINN JUHL**



GLOVE CABINET 1961
BY FINN JUHL

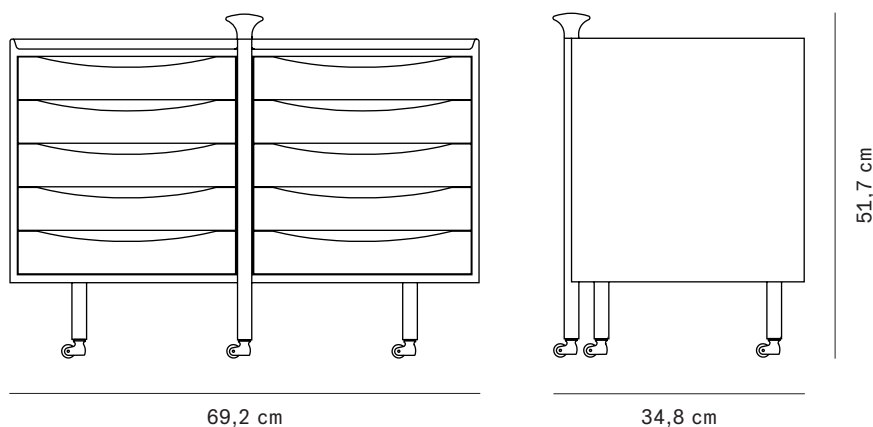
GLOVE CABINET 1961

This jewelry box of a glove cabinet is made in exclusive cherrywood and with brass exterior combined with a daring colorful interior. Today the Glove Cabinet is an extraordinary tribute to both the past, present and the future.



PRODUCT INFO

CATEGORY	Glove Cabinet
DESIGN	Finn Juhl
YEAR	1961, relaunched in 2015
MATERIALS	Solid Japanese cherry with a handle in wenge and drawers in a warm and cold range of colours. Legs in burnished steel and wheels and fittings in brass.
DIMENSIONS	Size: W 69,2 cm x D 34,8 cm x H 51,7 cm Weight: 12 kg Cbm: 0,35 m ³



triode